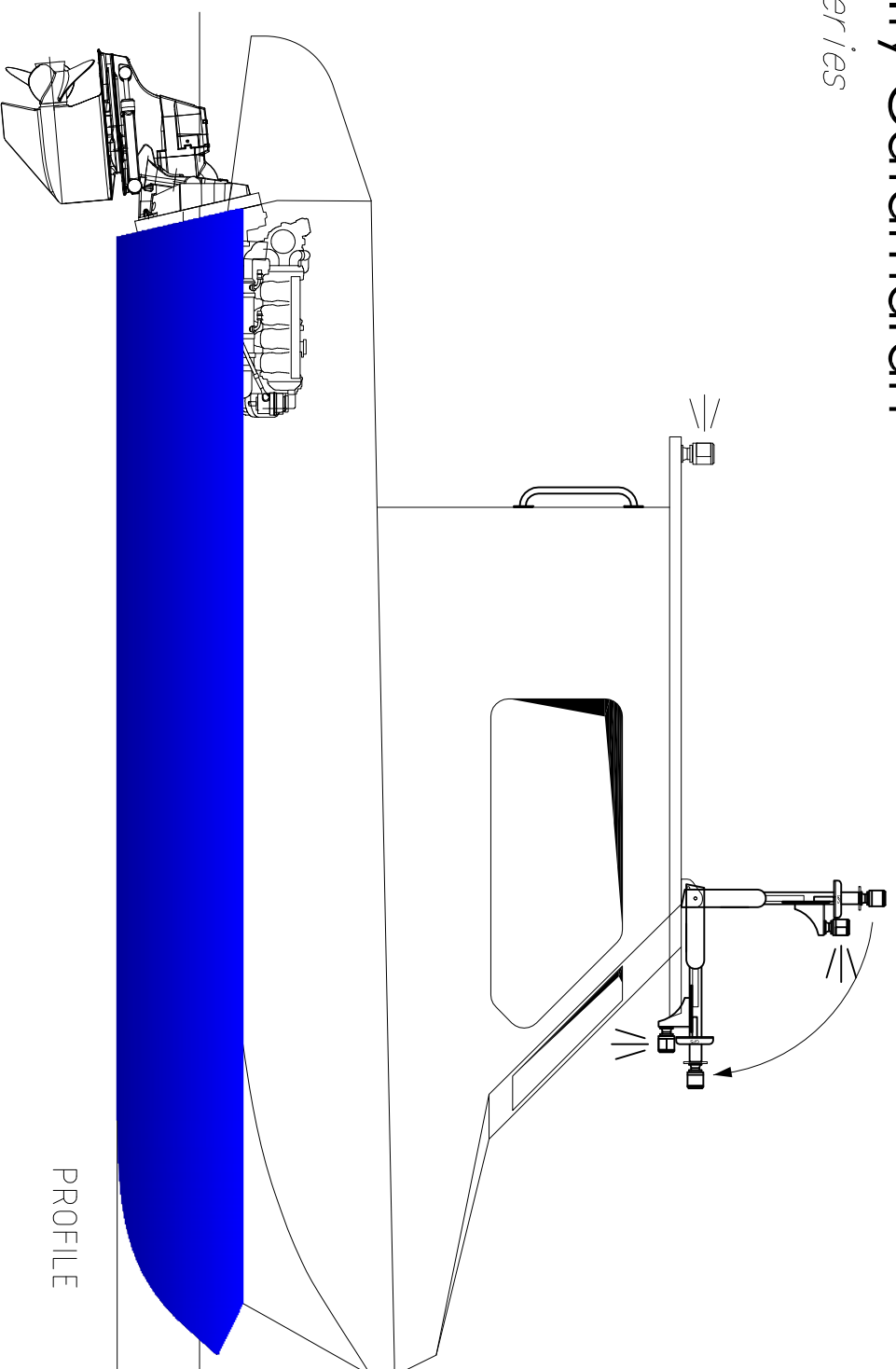
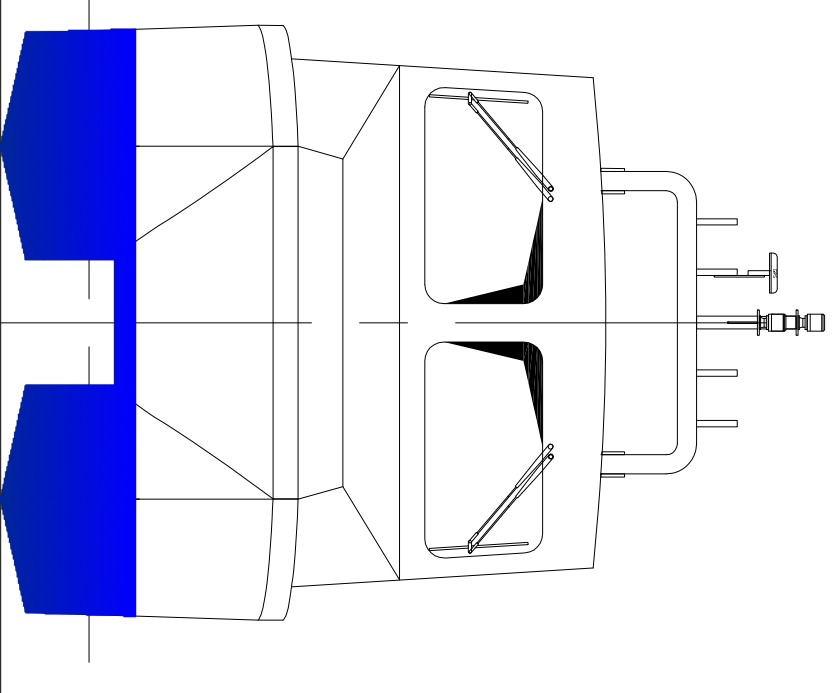


5m Utility Catamaran

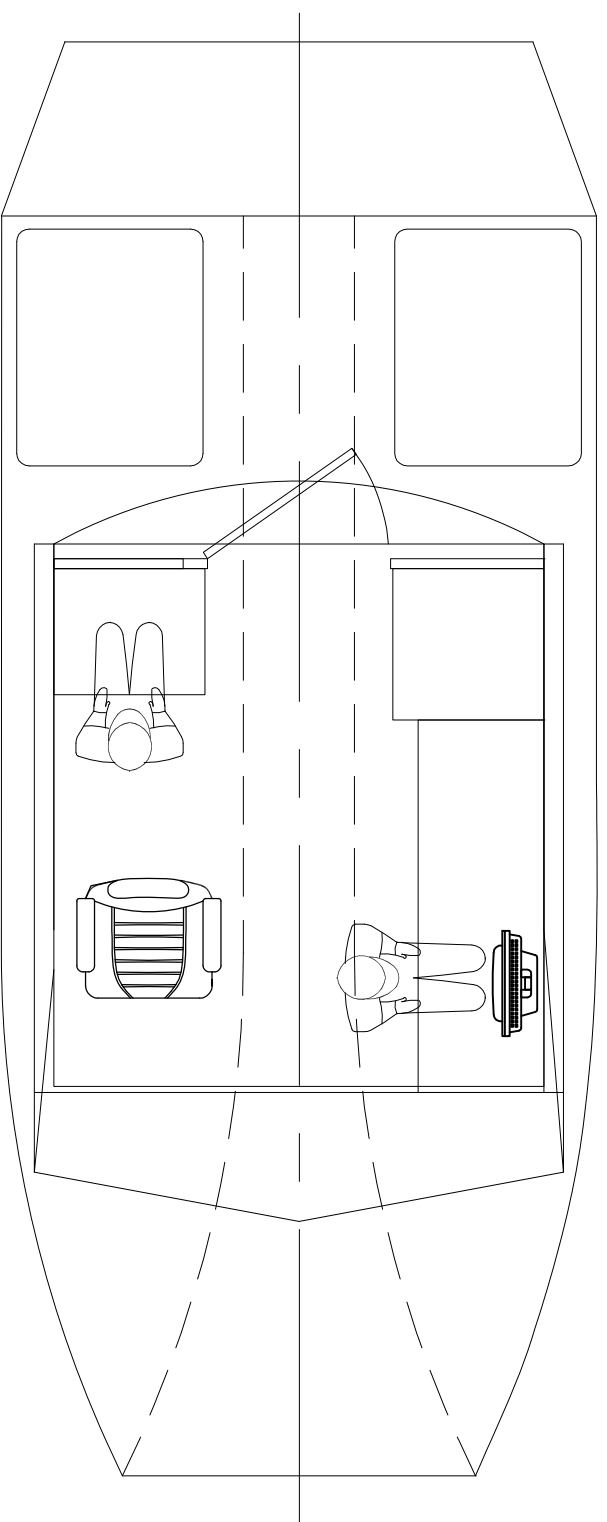
Minicat Series



PROFILE



FRONT VIEW



DECK PLAN

SPECIFICATIONS

Length Overall(Hull)	:5.00 meter
Length Waterline	:6.78 meter
Beam(Maximum)	:2.40 meter
Draught(Full Load)	:0.42 meter
Depth at Sides	:0.75 meter
Weight	:2800 Kg
Fuel Capacity	:500 Litres
Passenger Capacity	:3 Seater
Main Engine	:Steyr M094K33
Sterndrive	:Bravo 1
Maximum Speed(Approx.)	:14 Knots
Cruising 85% MCR	:12 Knots

REV	MODIFICATIONS	DATE	BY



SINA MARINE SERVICE PTE LTD
 21 BUKIT BATOK CRESCENT #17-83 WCEGA TOWER S558065
 TEL: (65) 6316 1662 FAX: (65) 6570 3262
 email/website: info@sinamarine.com

DRAWN	RAPHUS	8 OCT 2011	PROJECT	5M UTILITY CATAMARAN
CHECKED	VICTOR	8 OCT 2011	TITLE	GENERAL ARRANGEMENT
SCALE	SIZE	DWG NO.	REV	
NTS	A3	SMS-5MCAT-GA	0	