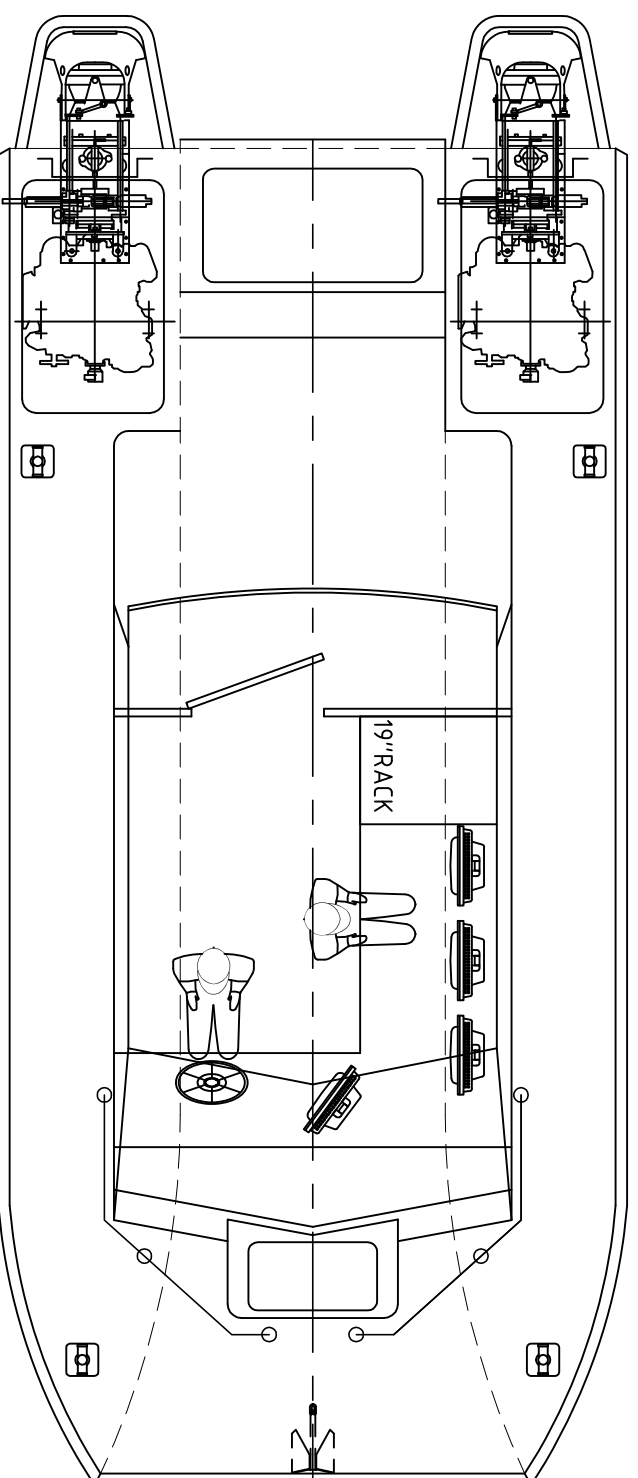
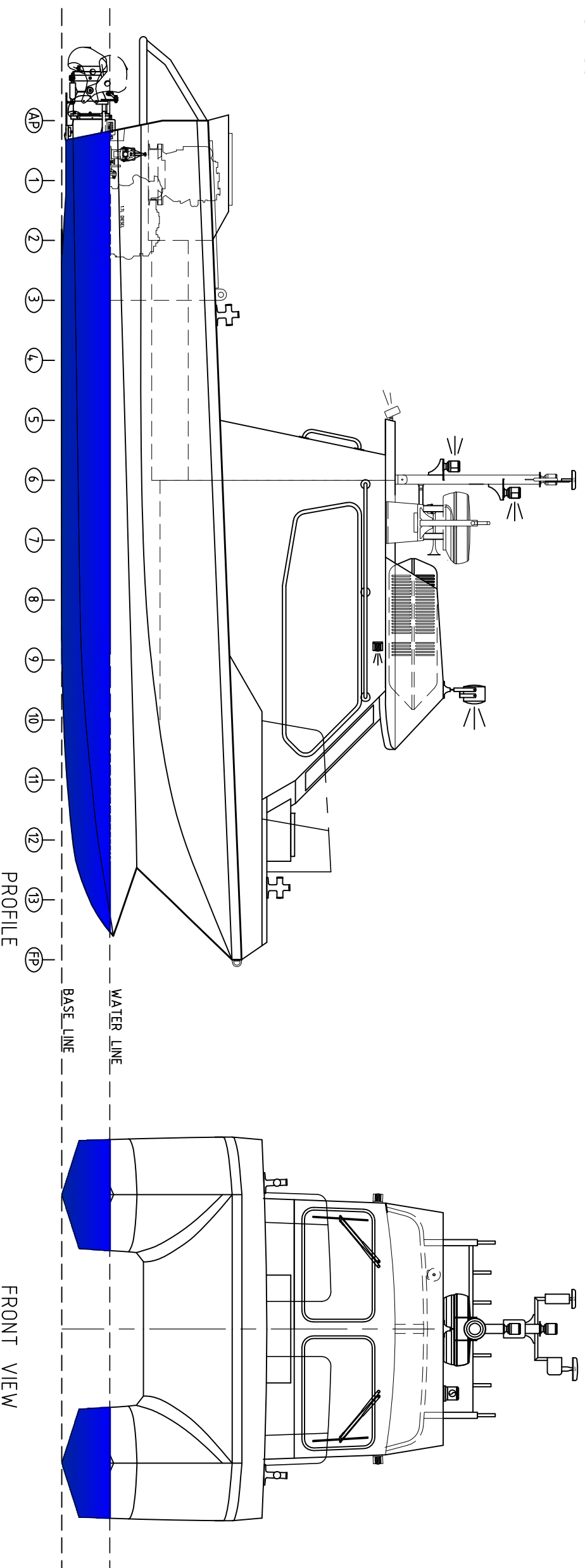


7m Utility Catamaran

Minicat Series



DECK PLAN

SPECIFICATIONS

Length Overall(Hull)	: 7.00 meter
Length Waterline	: 6.78 meter
Beam(Maximum)	: 3.20 meter
Draught(Full Load)	: 0.40meter
Free Board	: 0.75 meter
Weight	: 2400 Kg
Fuel Capacity	: 600 Litres
Passenger Capacity	: 4 Seater
Main Engine	: Mercruiser 01.7L
Water Jet	: DJ 10P Jet
Maximum Speed(Approx.)	: 15 Knots
Cruising	: 12 Knots

FRONT VIEW

REV	MODIFICATIONS	DATE	BY



SINA MARINE SERVICE PTE LTD
 21 BUKIT BATOK CRESCENT #17-83 WCEGA TOWER S658065
 TEL: (65) 6316 1662 FAX: (65) 6570 3262
 email/website: info@sinamarine.com

DRAWN	RAPHUS	15 FEB 2010	PROJECT	7M UTILITY CATAMARAN
CHECKED	VICTOR	15 FEB 2010	TITLE	GENERAL ARRANGEMENT
SCALE	SIZE	DWG NO.	REV	
NTS	A3	SMS-7M/CAT-GA	0	