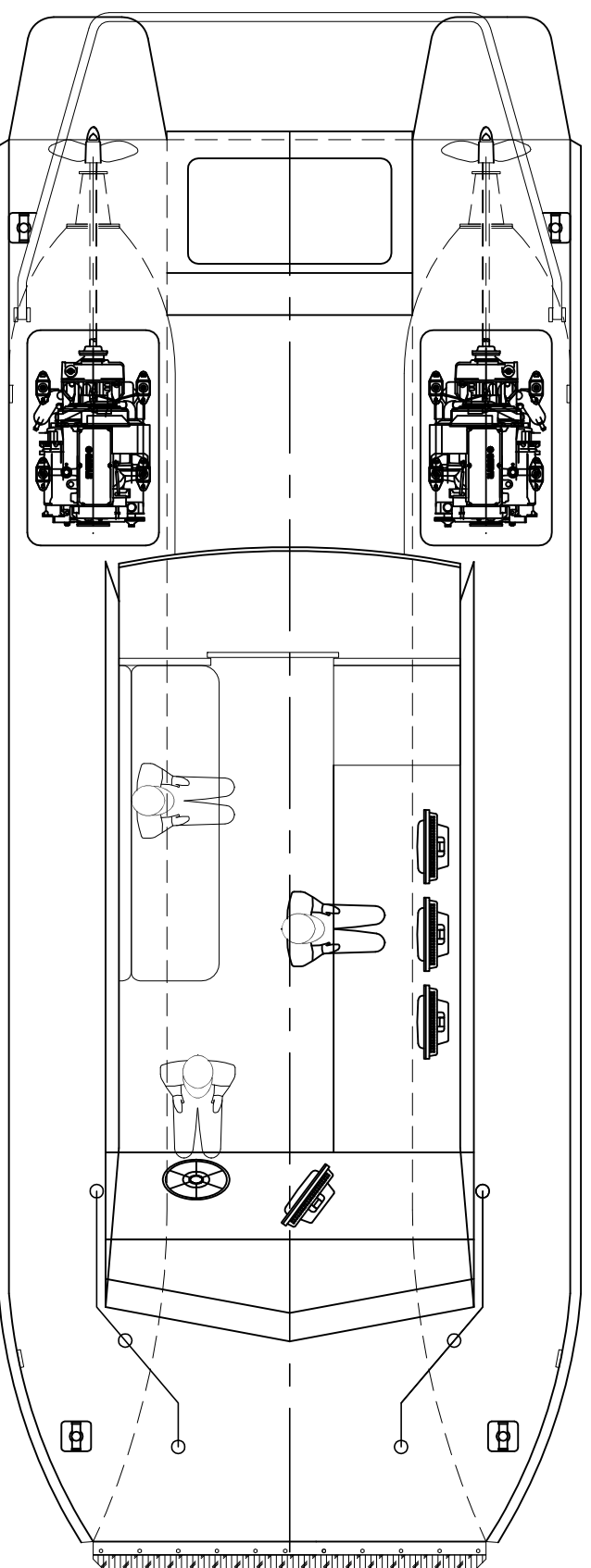
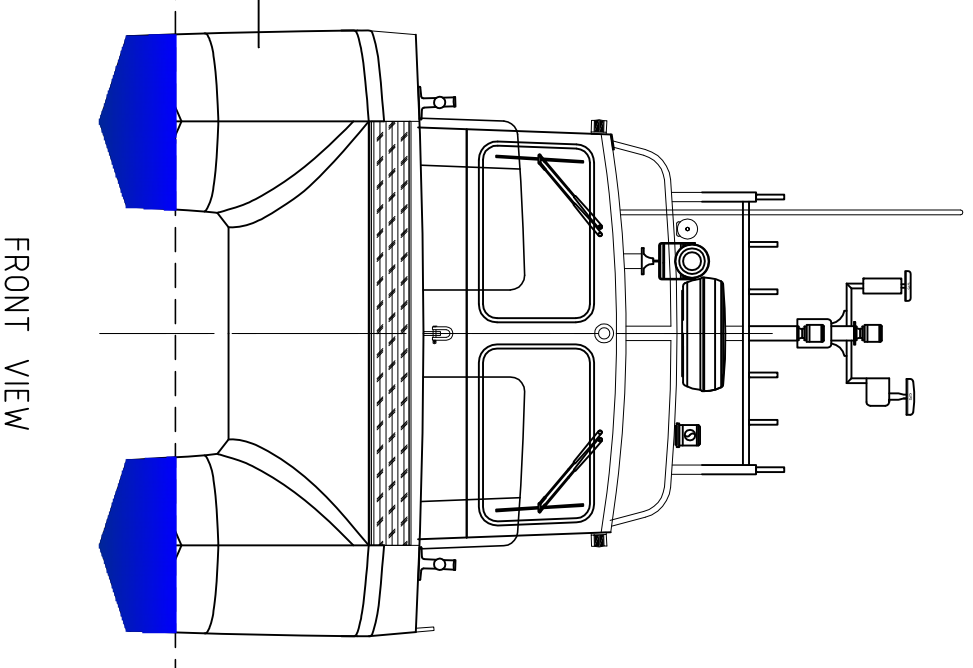
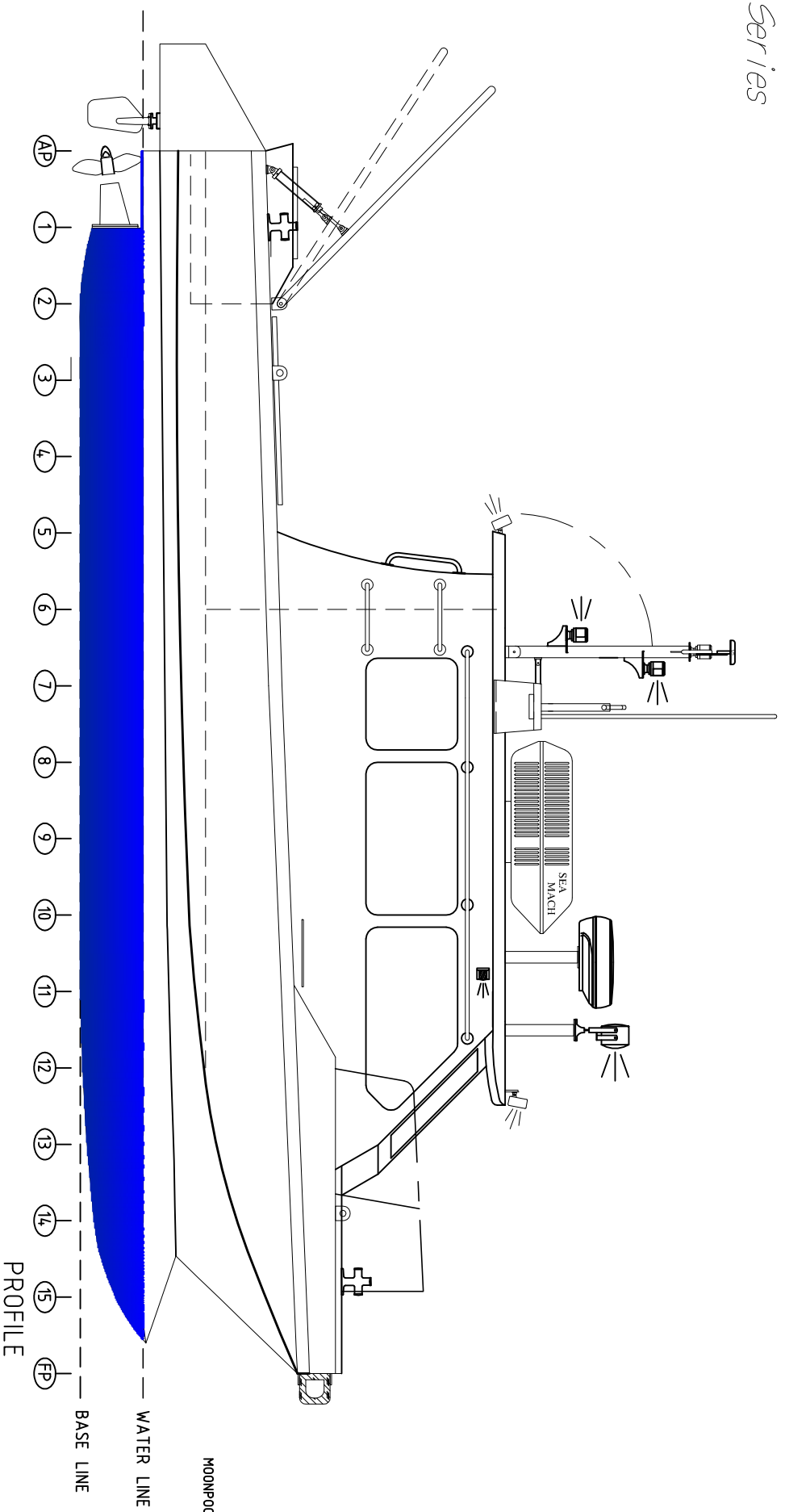


8m Utility Catamaran

Minicat Series



SPECIFICATIONS

Length Overall(Hull)	: 8.00 meter
Length Waterline	: 7.78 meter
Beam(Maximum)	: 3.20 meter
Draught(Full Load)	: 0.40 meter
Free Board	: 0.75 meter
Weight (Full Load)	: 5200 Kg
Fuel Capacity	: 600 Litres
Passenger Capacity	: 6 Seater
Main Engine	: STERY
Gear box	: ZF 45A
Maximum Speed(Approx.)	: 15 Knots
Cruising	: 12 Knots

REV	MODIFICATIONS	DATE	BY

SINA MARINE SERVICE PTE LTD
 21 BUKIT BATOK CRESCENT #17-83 WCEGA TOWER S658065
 TEL: (65) 6316 1662 FAX: (65) 6570 3262
 email/website: info@sinamarine.com

DRAWN	RAPHUS	8 OCT 2011	PROJECT	8M Utility Catamaran
CHECKED	VICTOR	8 OCT 2011	TITLE	GENERAL ARRANGEMENT
SCALE	SIZE	DWG NO.	REV	
NTS	A3	SMS-8MCAT-GA	0	